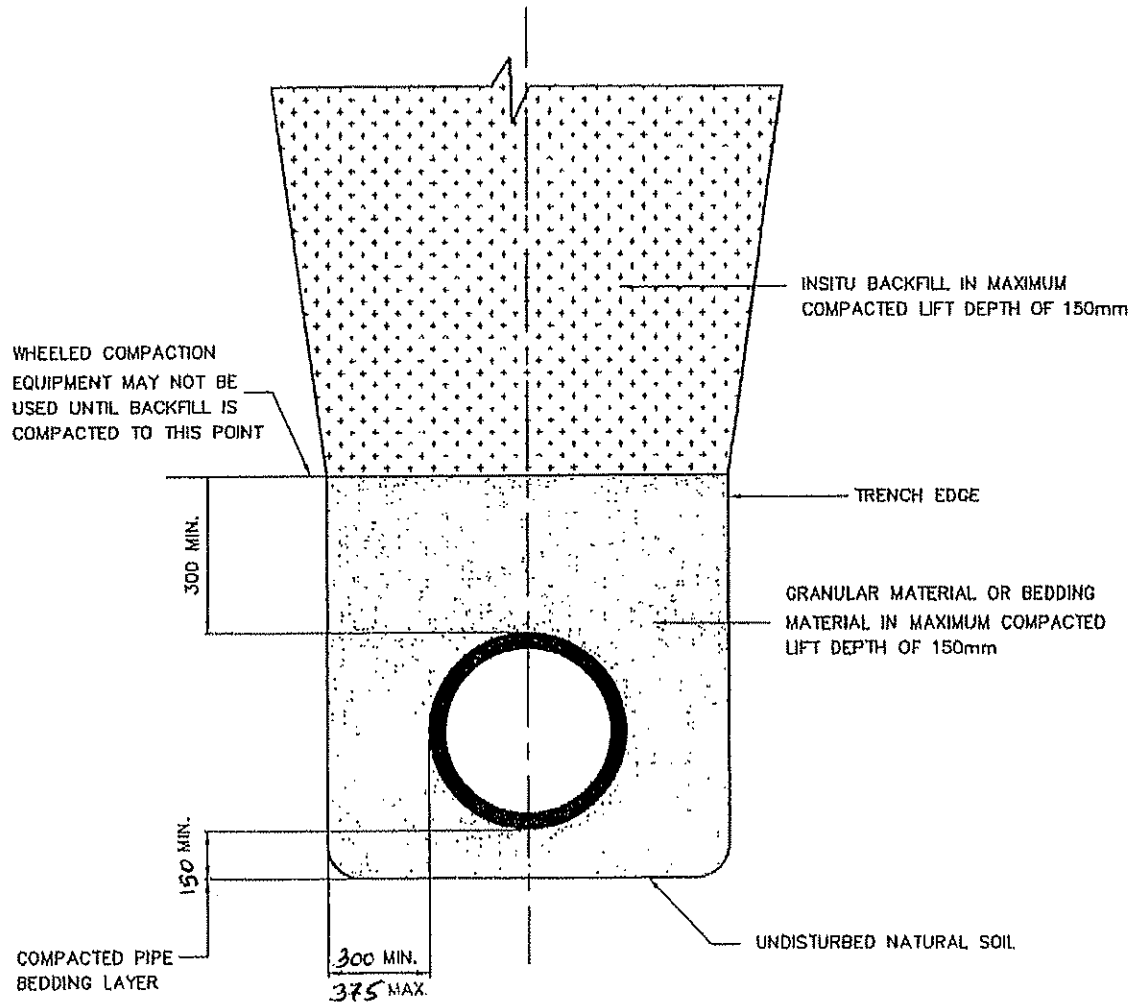


Appendix “B”



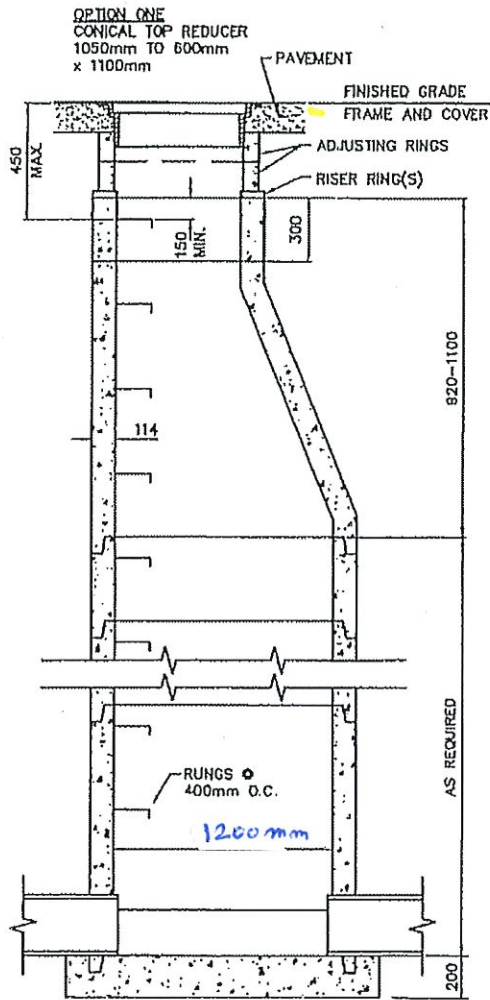
NOTE

1. BACKFILL COMPACTION TO BE A MINIMUM OF 93% STANDARD PROCTOR DENSITY.
2. INSITU BACKFILL MOISTURE CONTENT TO BE +/- 3% OF ADJACENT UNDISTURBED TRENCH SIDE
3. SIDE CLEARANCE MUST BE ADEQUATE TO PERMIT COMPACTION OF BACKFILL AT SIDE OF PIPE
4. THE GUIDELINE MINIMUM FOR COMPACTION TESTING IS ONE TEST FOR EACH 1000m² FOR EACH LIFT IN THE PIPE BEDDING ZONE AND TRENCH BACKFILL ZONE.
5. ALL DIMENSIONS ARE IN MILLIMETERS UNLESS OTHERWISE NOTED

CITY OF MOOSE JAW ENGINEERS DEPARTMENT

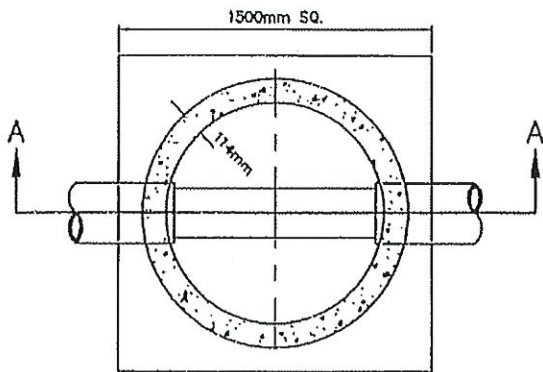
STANDARD FLEXIBLE PIPE BEDDING & TRENCH BACKFILL

DRAWN N/A	DATE MAR. / 08	DWG. NO.
R. JOHNSON CITY ENGINEER	SCALE N.T.S.	S-20

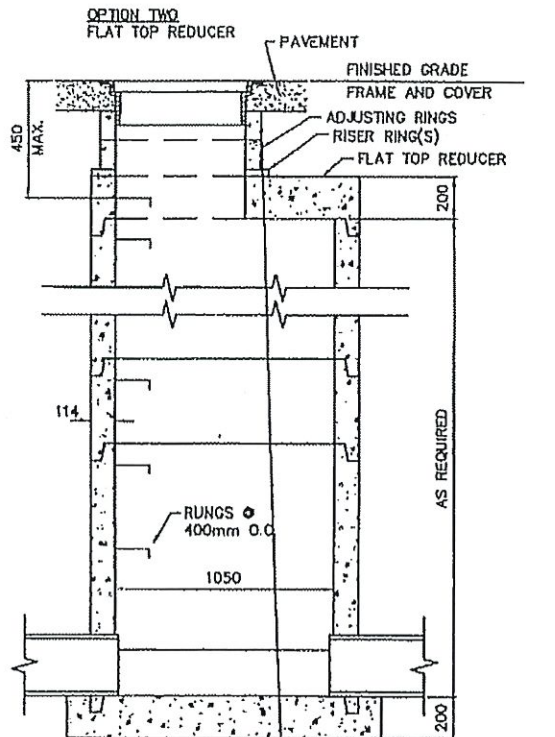


SECTION A-A

MANHOLE BASE PRECAST OR CAST IN PLACE



PLAN

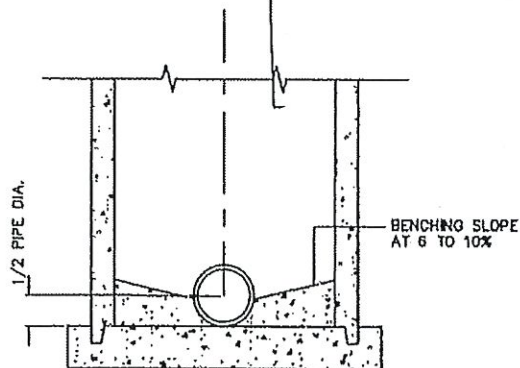


SECTION A-A

MANHOLE BASE PRECAST OR CAST IN PLACE

NOTES:

ALL DIMENSIONS ARE IN MILLIMETERS
 UNLESS OTHERWISE NOTED



DETAIL OF BENCHING

CITY OF MOOSE JAW
ENGINEERS DEPARTMENT

PRECAST MANHOLE
 1200mm DIA.

DRAWN N/A	DATE MAR. / 08	DWG. NO.
R. JOHNSON CITY ENGINEER	SCALE N.T.S.	S-2